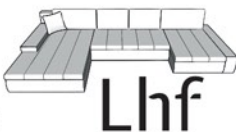


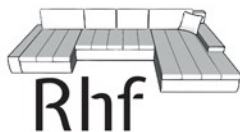




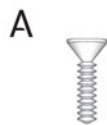
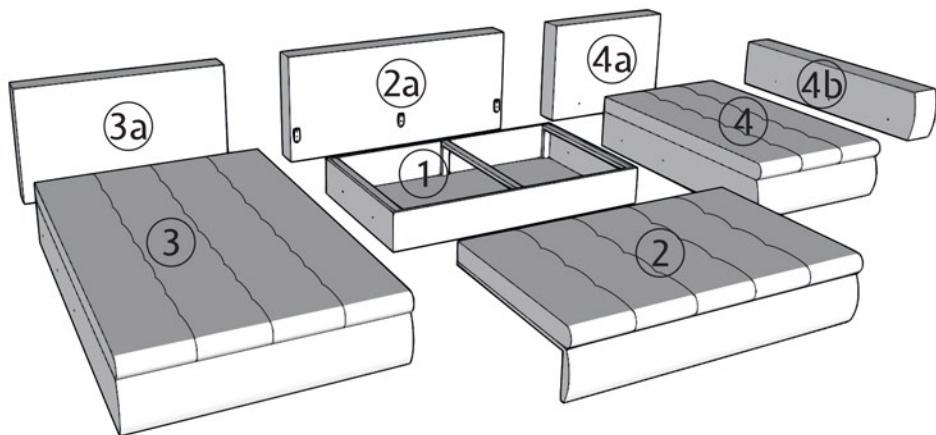
30min



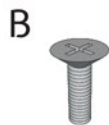
Lhf



Rhf



x14



x10



x13



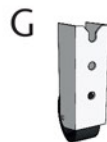
x13



x13



x19



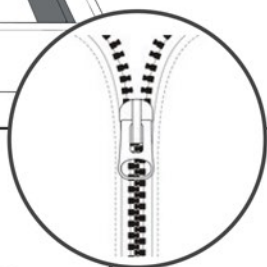
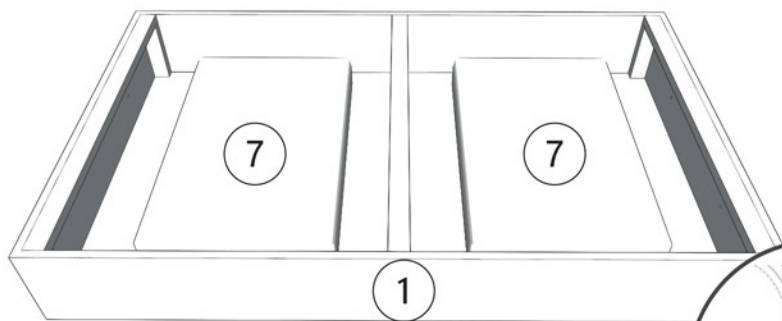
x2



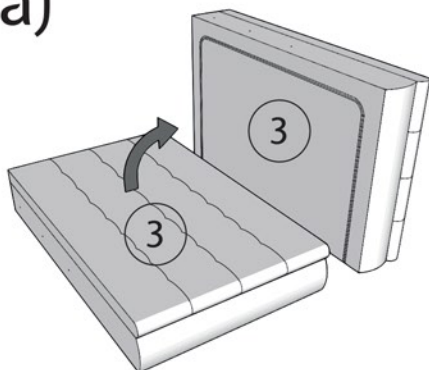
x6



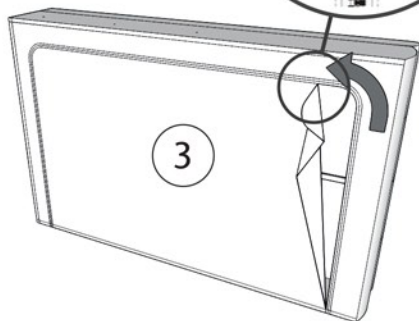
x4



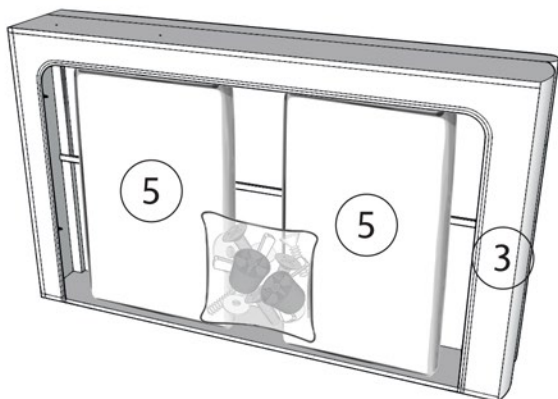
a)

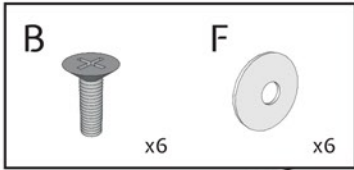


b)

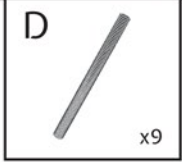
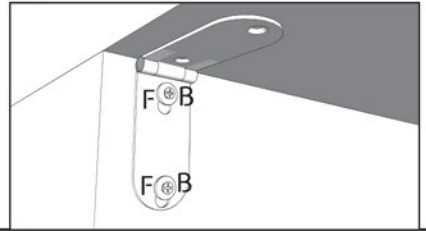
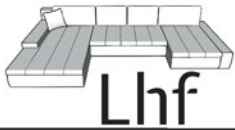
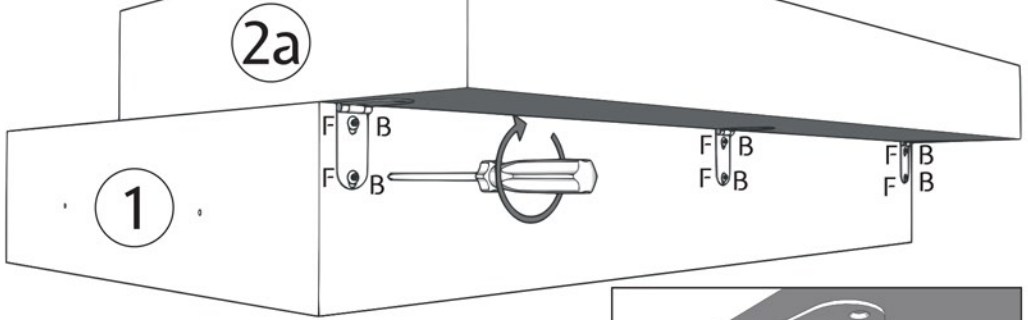


c)

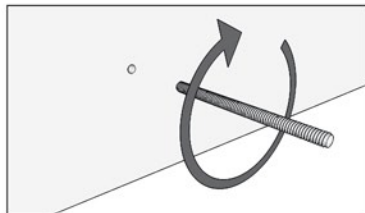
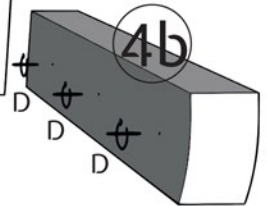
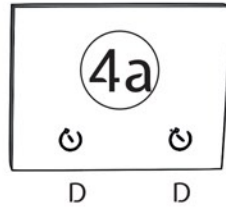
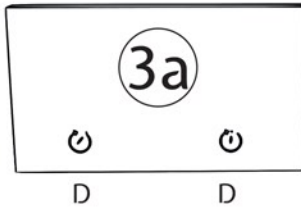
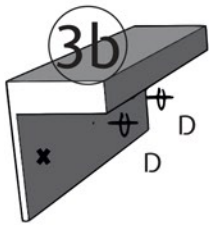


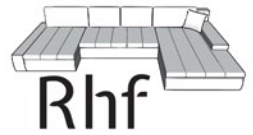
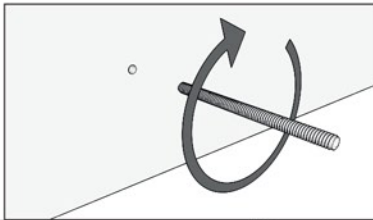
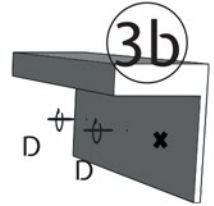
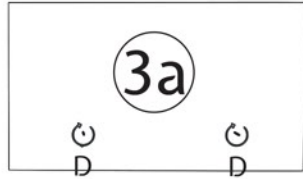
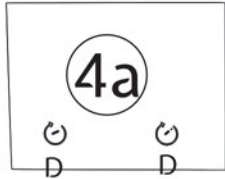
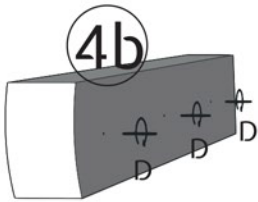
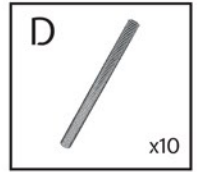


I

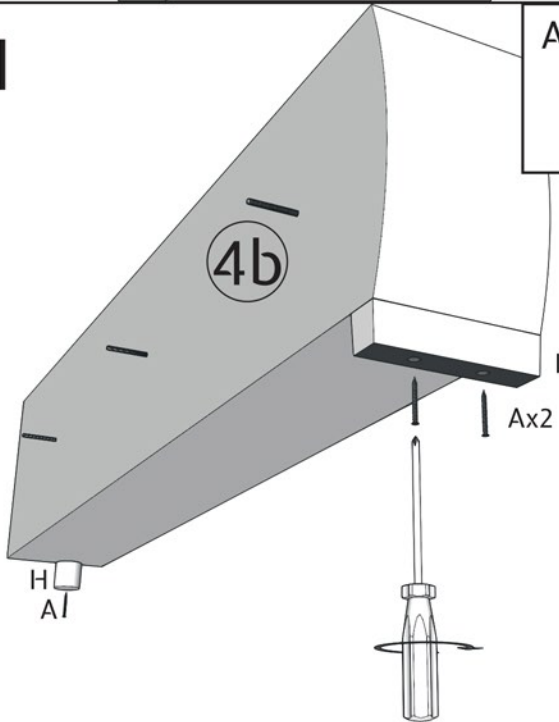
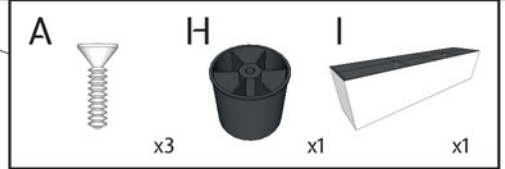


II

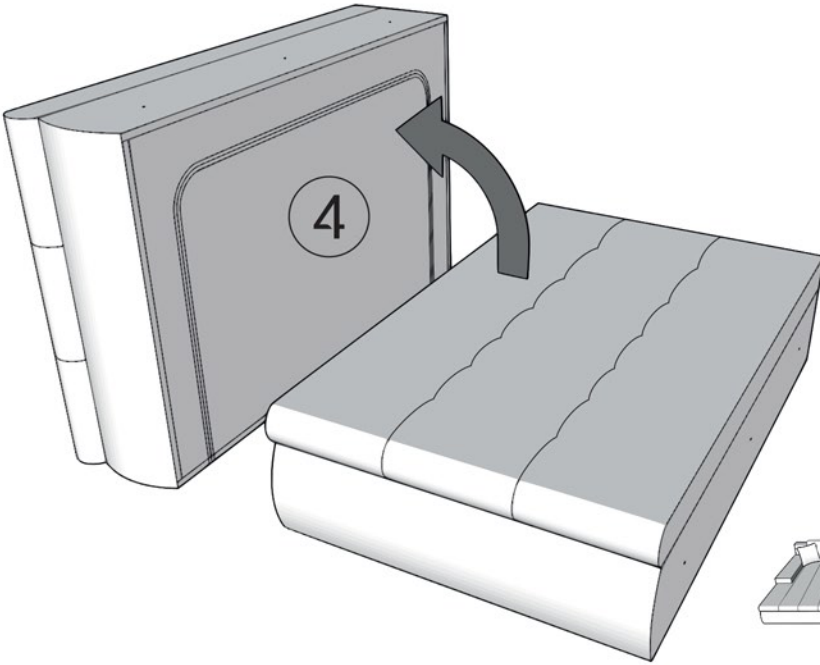




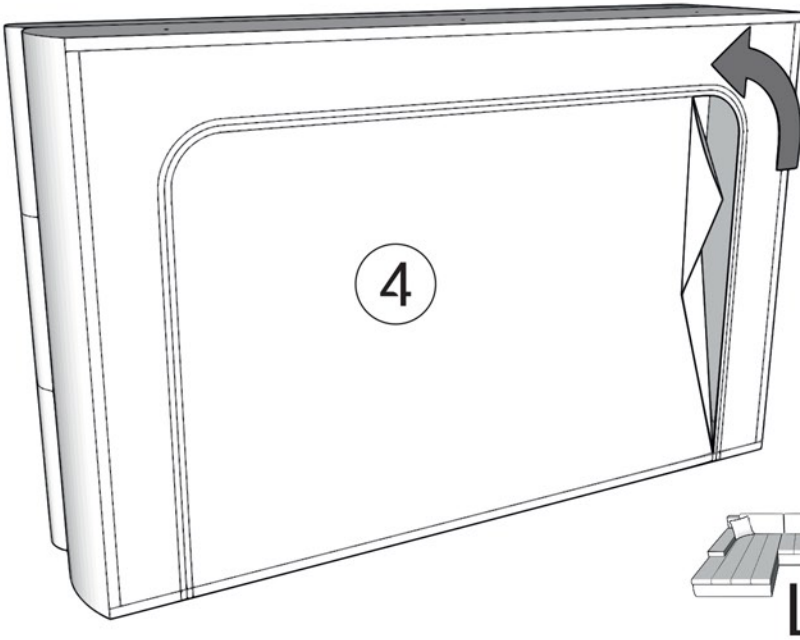
III



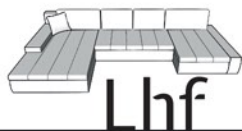
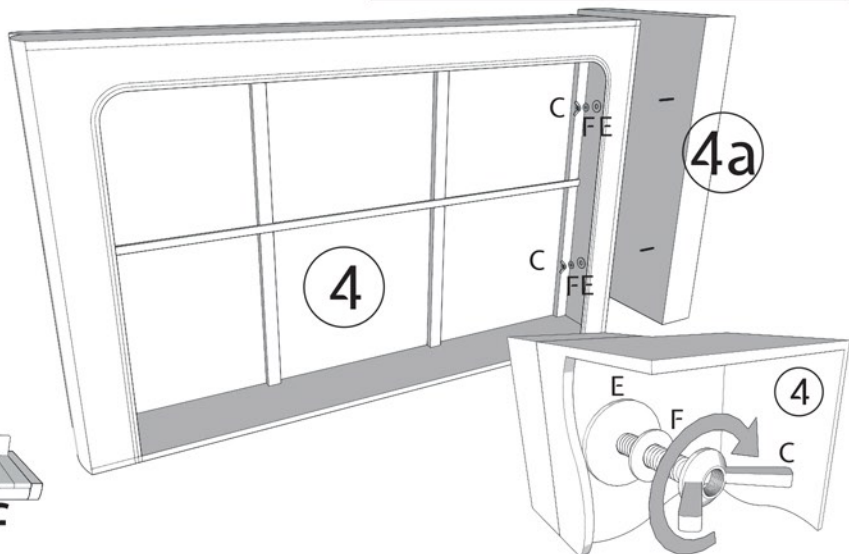
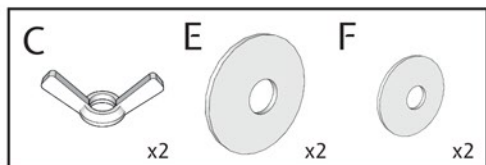
IV



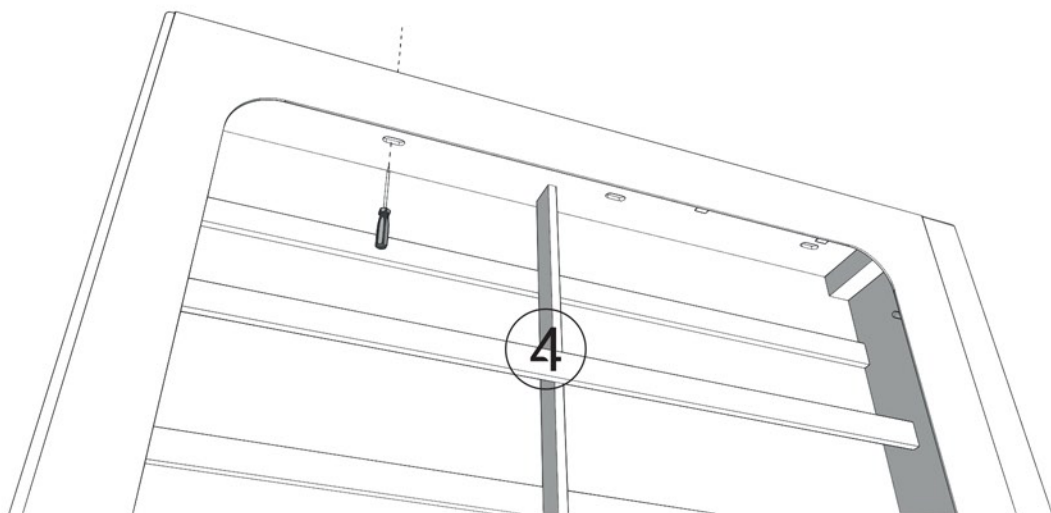
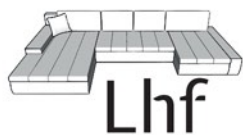
V



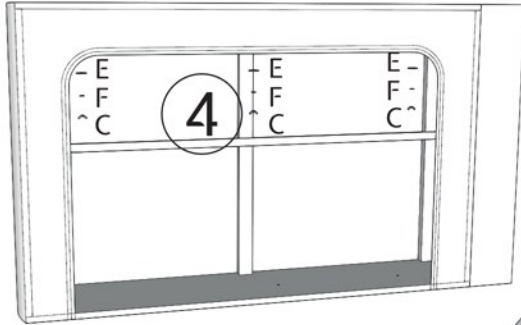
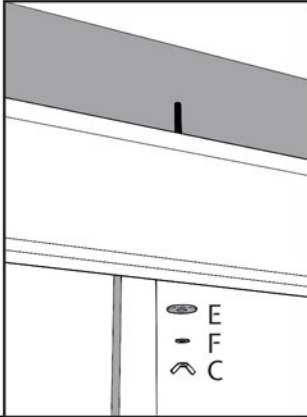
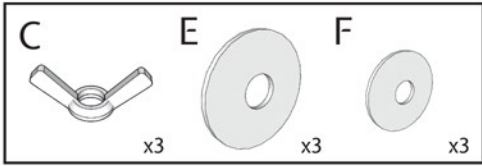
VI



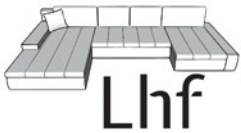
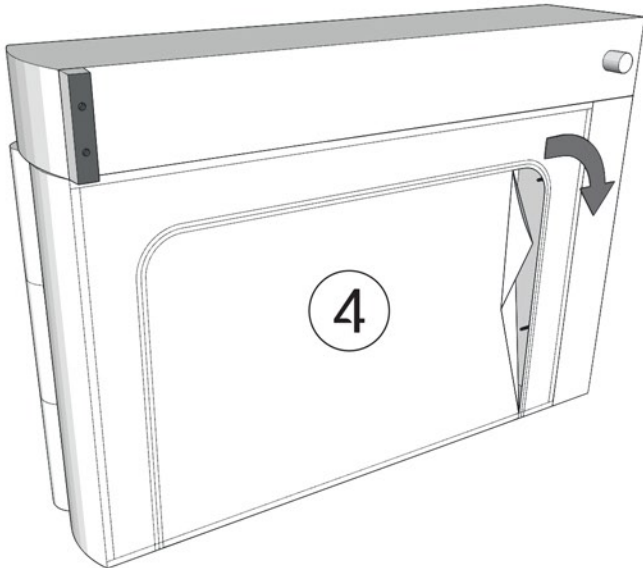
VII



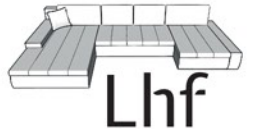
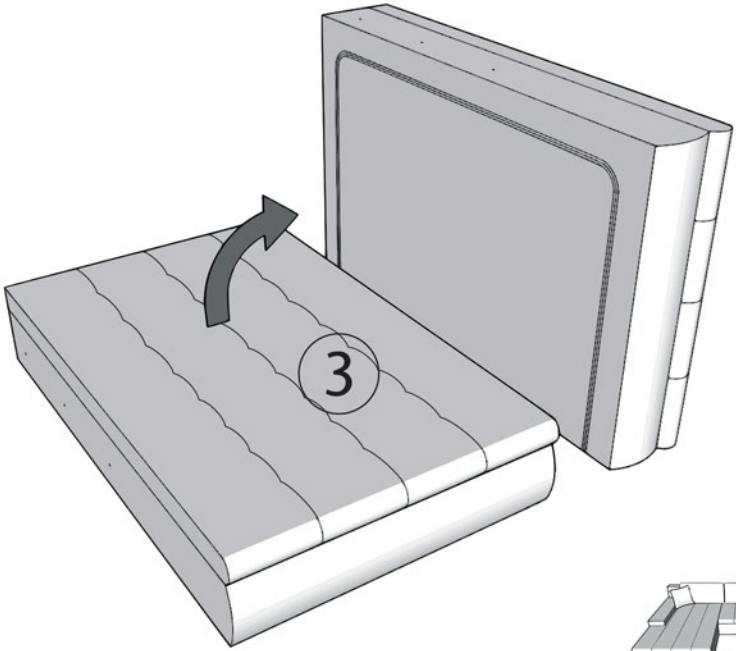
VIII



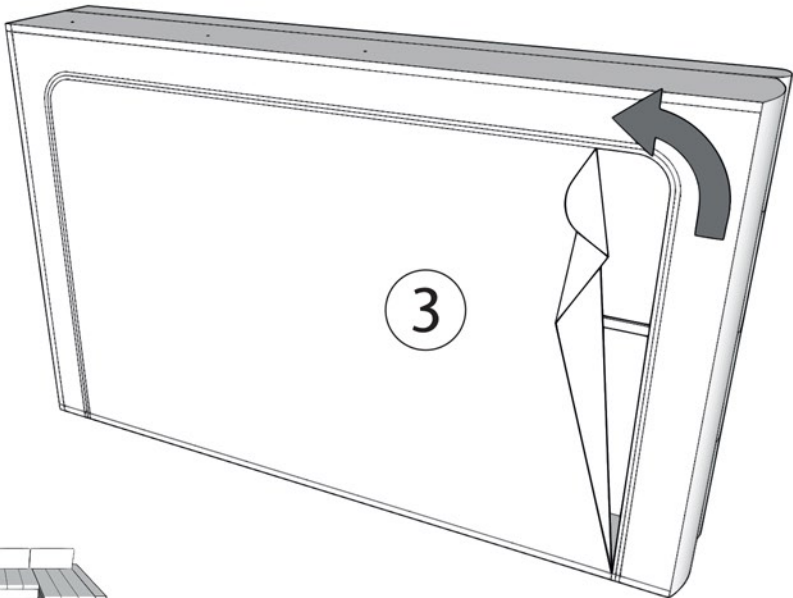
IX



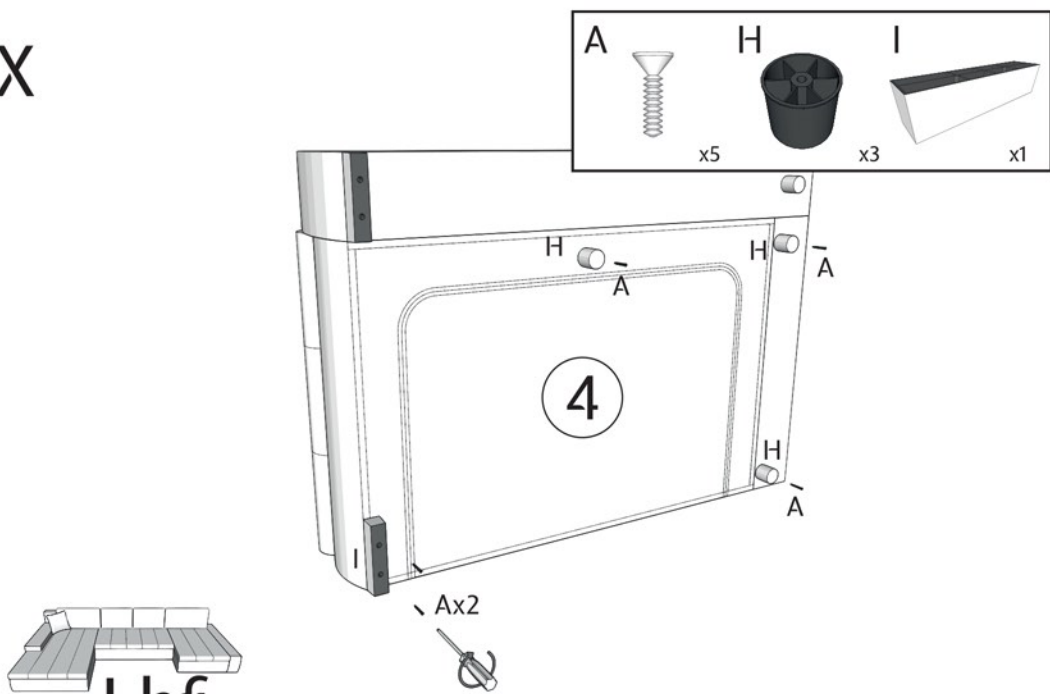
XII



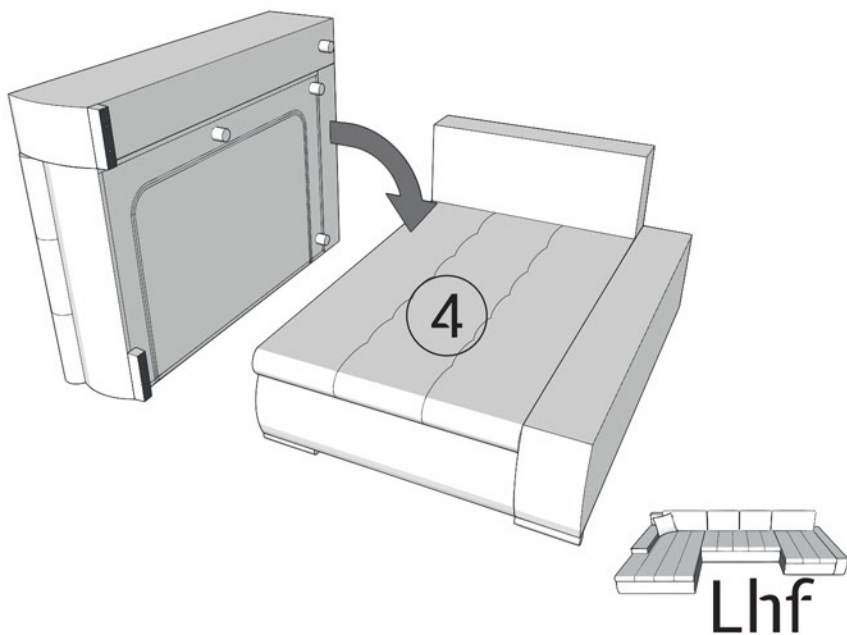
XIII



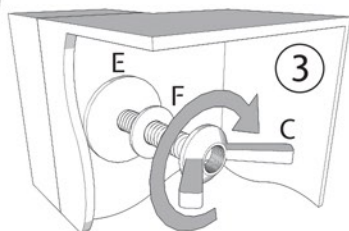
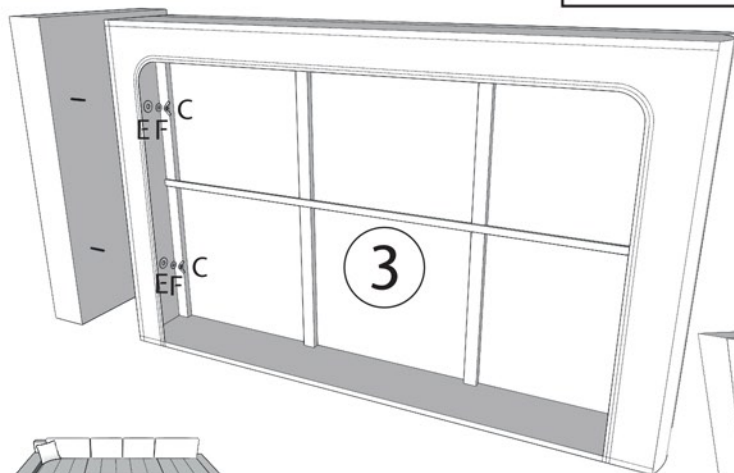
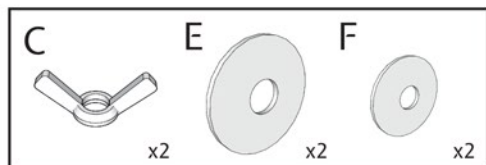
X



XI

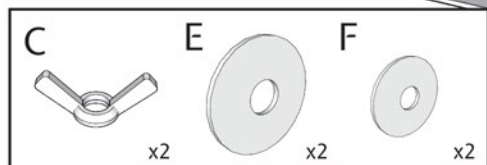
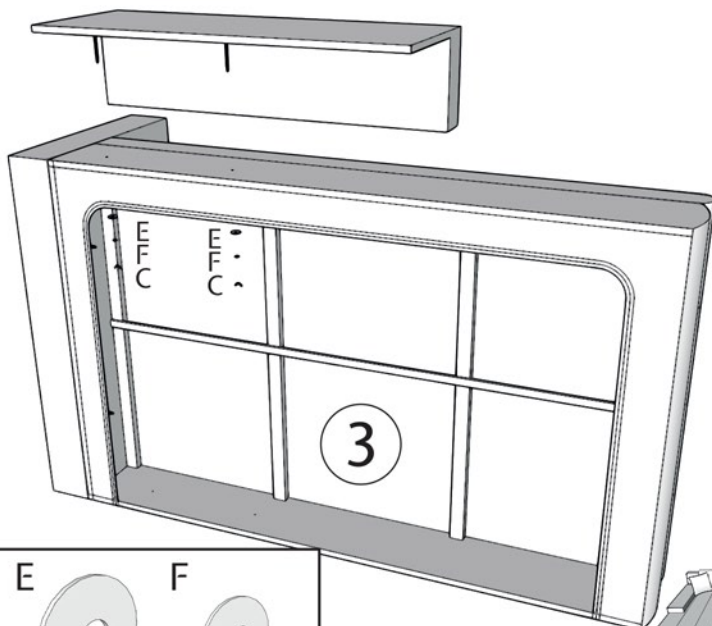


XIV

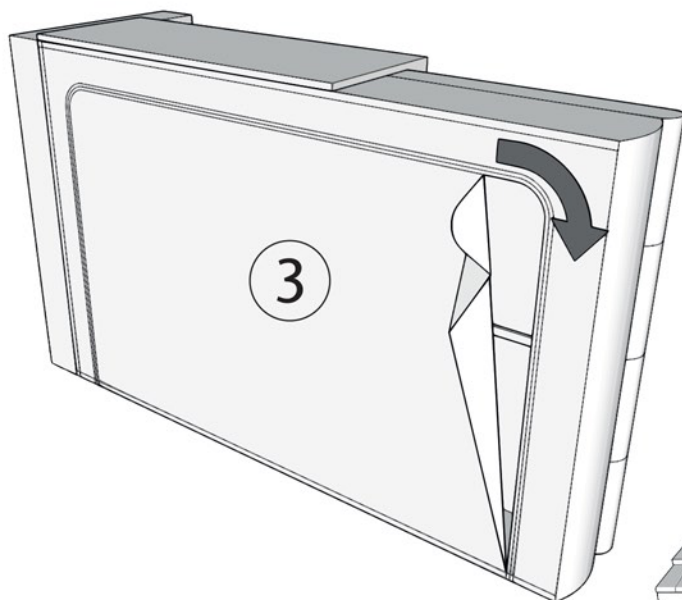


Lhf

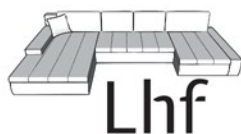
XV



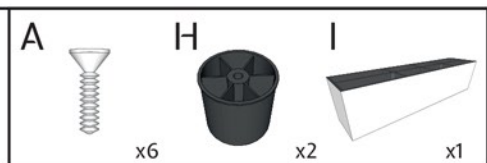
Lhf



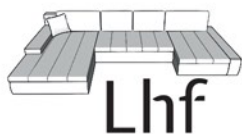
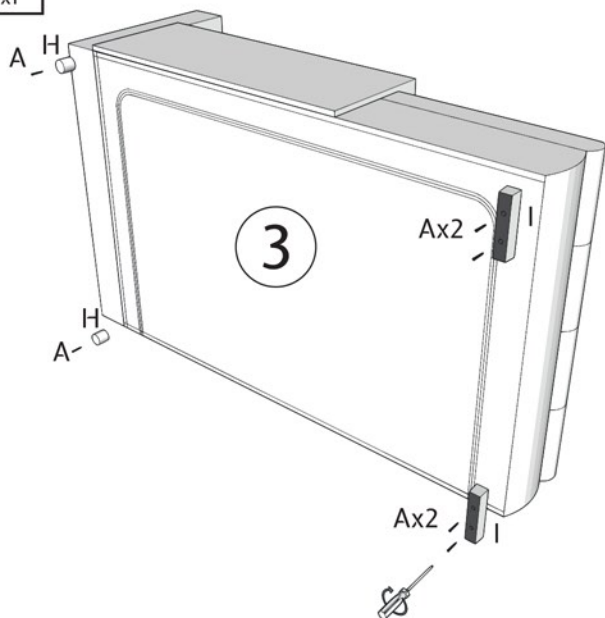
XVI



Lhf

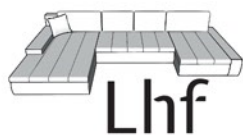
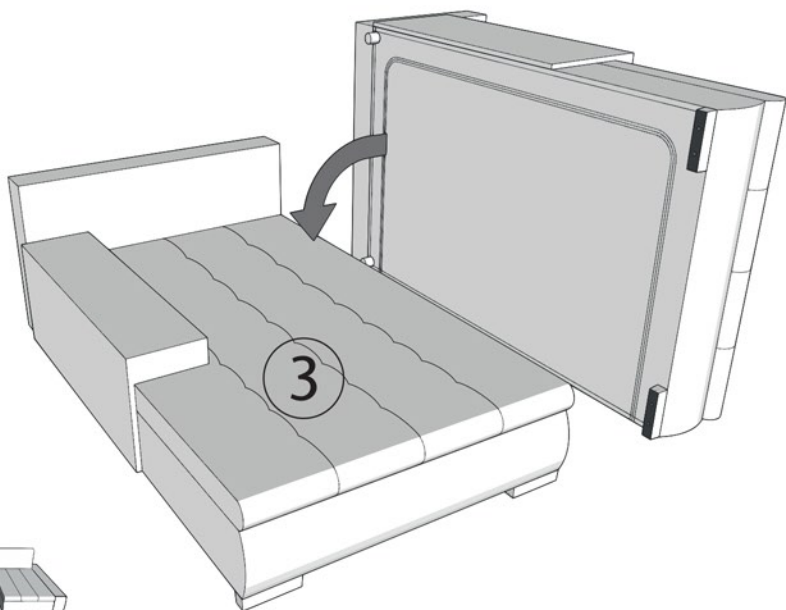


XVII



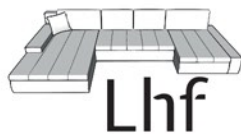
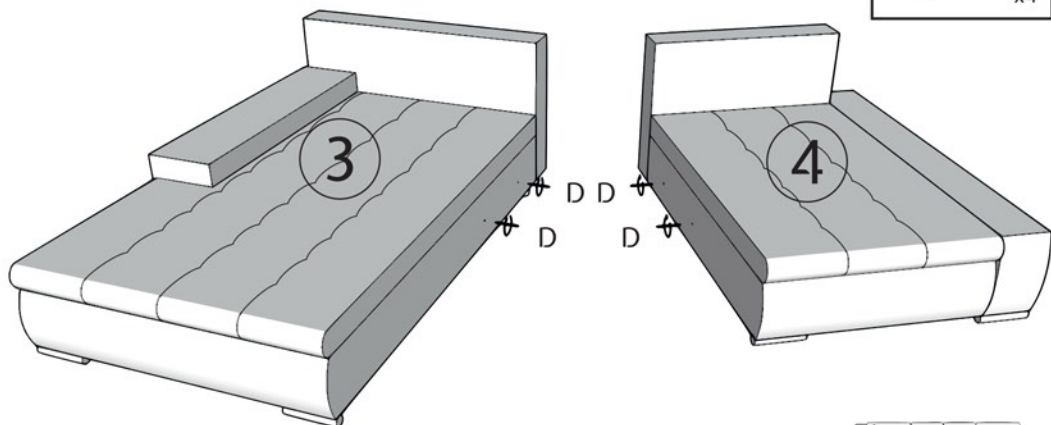
Lhf

XVIII



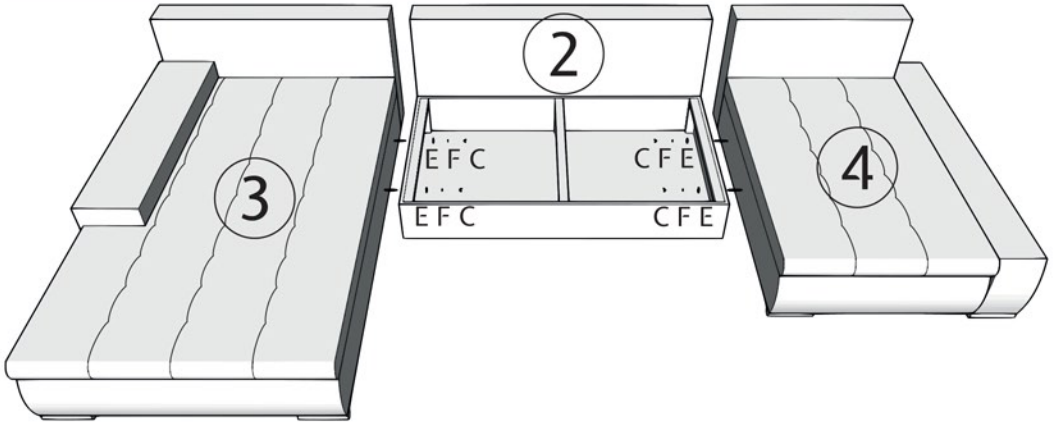
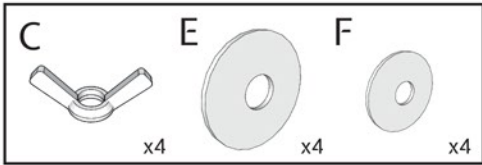
Lhf

XIX

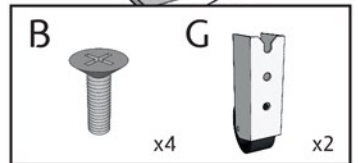
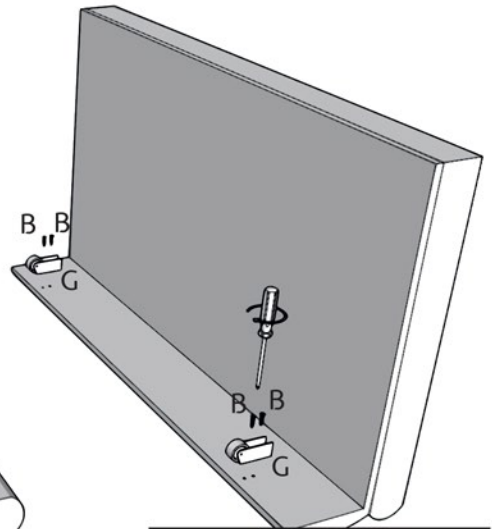
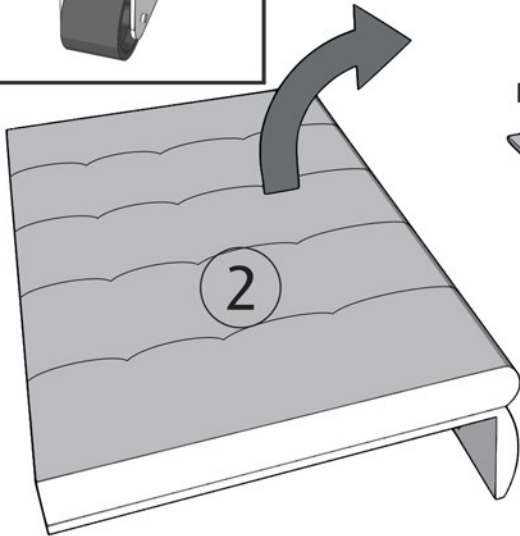
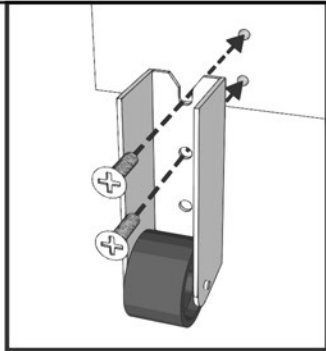


Lhf

XX



XXI



XXII

